



Our sophisticated guest and lounge collections have been thoughtfully reimagined to present the Sign Tandem collection. Each member of the Sign family of products stands beautifully on its own or can be combined to meet requirements of any scope.



DESIGNING OPTIONS | FURNISHING ANSWERS

arcadia

SIGN TANDEM



With a slim, modern silhouette and newly engineered frame, Sign Tandem eloquently echoes qualities of its lounge and guest chair companions. Featuring an assortment of options, including connecting tables, three seat sizes and a range of finish selections, this visually arresting series confirms that comfort and aesthetics do work well side-by-side, making a great choice for healthcare, corporate and higher education markets. Sign—a mark of versatility and enduring style.



> GUEST CHAIR #921-1-CO
> 23" WIDTH
> CORIAN ARM CAPS
> METALLIC CHAMPAGNE FRAME



> BARIATRIC CHAIR #930-CO
> 32" WIDTH
> CORIAN ARM CAPS
> METALLIC CHAMPAGNE FRAME



> GUEST CHAIR #923-1-CO
> 25" WIDTH
> CORIAN ARM CAPS
> METALLIC CHAMPAGNE FRAME



> 2-SEAT TANDEM #923-2-CO
> 23" WIDTH
> CORIAN ARM CAPS
> GRAPHITE FRAME

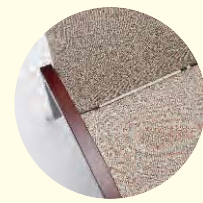
SPECIAL FEATURES



Replaceable wood, Corian® and urethane arm caps.



Passive flex back for long term seated comfort.



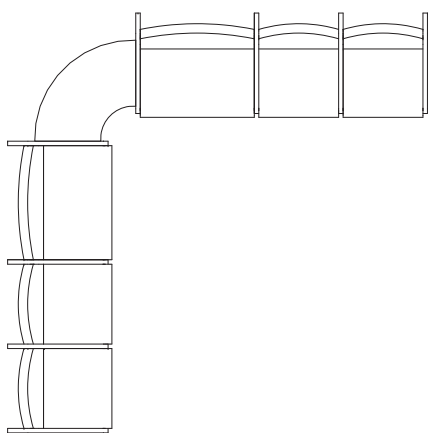
Clean-out area between seat and back for ease of maintenance.



Durable seat frame allows in-field component replacement as well as tandem add-on capability.



Replaceable seat and back upholstery cover options.



> 23" STARTER UNIT #921-ST-U
> URETHANE ARM CAPS
> GRAPHITE FRAME

> 23" ADD-ON UNIT #921-AO-U
> URETHANE ARM CAPS
> GRAPHITE FRAME

> 32" BARIATRIC END UNIT #930-EU-U
> URETHANE ARM CAPS
> GRAPHITE FRAME

> 90-DEGREE CORNER TABLE #960
> WOOD TOP

> 32" BARIATRIC STARTER UNIT #930-ST-U
> URETHANE ARM CAPS
> GRAPHITE FRAME

> 23" ADD-ON UNIT #921-AO-U
> URETHANE ARM CAPS
> GRAPHITE FRAME

> 23" END UNIT #921-EU-U
> URETHANE ARM CAPS
> GRAPHITE FRAME

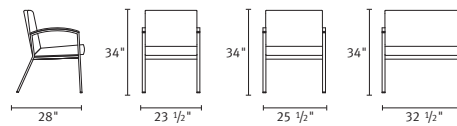


PRODUCT SPECIFICATIONS

Metal frame available in five standard powdercoat finishes. Models offered in three sizes including bariatric width for stand-alone seating requirements or tandem applications. Beech wood, Corian® and black urethane arm cap options.

Tandem seating offered in two and three-seat pre-configured combinations or as reconfigurable modular units. Four connecting table selections available in Beech veneer, laminate or Corian®. All standard and custom finishes available. Corian® offered in eight colors.

Microban® antimicrobial wood finish standard on wood arm caps and veneer connecting tables. For added durability, all models feature wall-saver leg design and an assortment of replaceable components. Correlating guest and lounge seating offered.



LICENSED BY WIESNER HAGER, AUSTRIA



P 714.562.8200 | 800.585.5957 F 714.562.8202
 5692 FRESCA DRIVE, LA PALMA, CA 90623
 WWW.ARCADIACONTRACT.COM



Our sophisticated guest and lounge collections have been thoughtfully reimagined to present the Sign Tandem collection. Each member of the Sign family of products stands beautifully on its own or can be combined to meet requirements of any scope.



DESIGNING OPTIONS | FURNISHING ANSWERS

arcadia

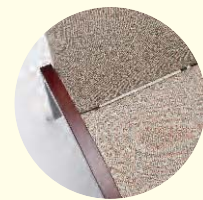
SPECIAL FEATURES



Replaceable wood, Corian® and urethane arm caps.



Passive flex back for long term seated comfort.



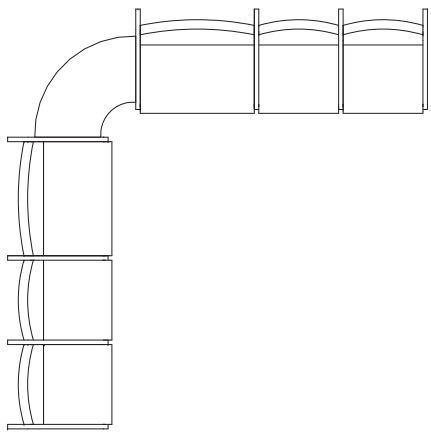
Clean-out area between seat and back for ease of maintenance.



Durable seat frame allows in-field component replacement as well as tandem add-on capability.



Replaceable seat and back upholstery cover options.



> 23" STARTER UNIT #921-ST-U
> URETHANE ARM CAPS
> GRAPHITE FRAME

> 32" BARIATRIC STARTER UNIT #930-ST-U
> URETHANE ARM CAPS
> GRAPHITE FRAME

> 23" ADD-ON UNIT #921-AO-U
> URETHANE ARM CAPS
> GRAPHITE FRAME

> 23" ADD-ON UNIT #921-AO-U
> URETHANE ARM CAPS
> GRAPHITE FRAME

> 32" BARIATRIC END UNIT #930-EU-U
> URETHANE ARM CAPS
> GRAPHITE FRAME

> 23" END UNIT #921-EU-U
> URETHANE ARM CAPS
> GRAPHITE FRAME

> 90-DEGREE CORNER TABLE #960
> WOOD TOP