

Amped Chair

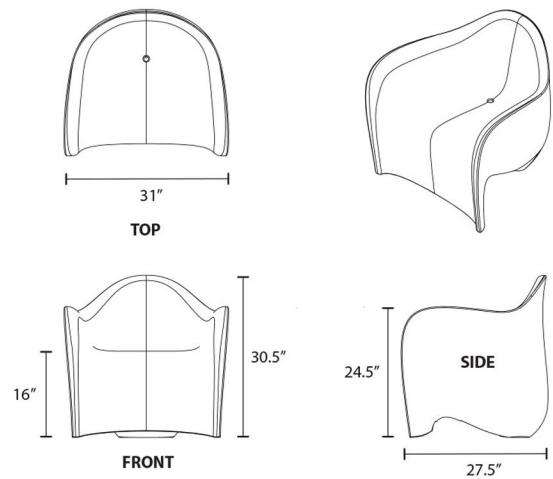
Designed by: Julien Bergignat, France | FIRM - Recovered Coastal Plastic



Item # 22101BX__: Amped Chair

16" Seat Height, 40 lbs

Tenjam has made a giant leap forward in recycled materials and proven that Recovered Coastal Plastic (RCP) can be economically recovered, recycled, and turned into high performance products. RCP is plastic debris recovered from shorelines, waterways, and coastal communities where it's intercepted before entering the ocean. All Tenjam FIRM Series products include a varying percentage of RCP material in their construction. This is a hard plastic product suitable for indoor and outdoor environments. 100% recyclable. Certified for healthy indoor air quality.



FIRM with RCP Standard Colors

